

Pump type: Submersible cutter pump
 Application: Waste water, sewage

Pump data

Discharge diameter: 30 mm
 Impeller type: with cutter
 Impeller diameter: 136 mm
 Recommended min. flow: 0.5 l/sec (2 m3/h)
 Weight: 34 kg

Motor

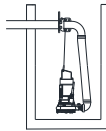
Mains: 50 Hz – 3 phase
 Rated shaft power: 2.2 kW
 Rated electrical power: 2.8 kW
 Nominal speed: 2830 rpm
 Motor efficiency: 79 %
 Power factor (cos phi): 0.89
 Degree of protection: IP 68
 Isolation class: F (155°C)
 Max. water temperature: 40°C
 Standard cable length: 10 m

Materials

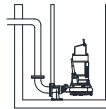
Pump casing: Cast iron GG 25 (EN-GJL-250)
 Impeller: Cast iron GG 25 (EN-GJL-250)
 Cutter: Hardened chrome steel
 Motor unit: Cast iron GG 25 (EN-GJL-250)
 Shaft: AISI 431
 Bolts: Alt: AISI 316
 Elastomers: AISI 316
 Nitrile (NBR) or Neoprene (CR)
 Alt: Viton (FPM)
 Neoprene (CR)
 Electrical cable: Neoprene (CR)
 Seal lubrication: Oil
 Seal pump side: Silicon carbide – Silicon carbide
 Seal motor side: Carbon - Ceramic
 Coating: Two components Polyurethane

Installation options

Header coupling: BWK050, 065 or 080

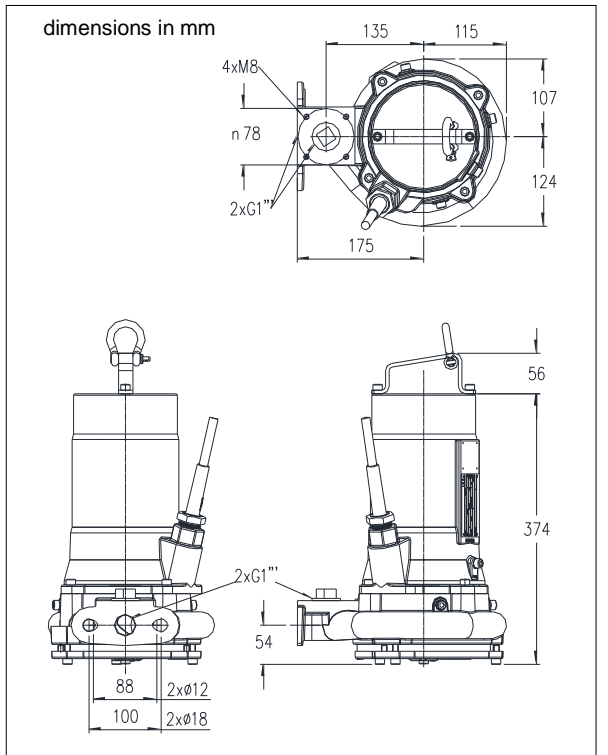
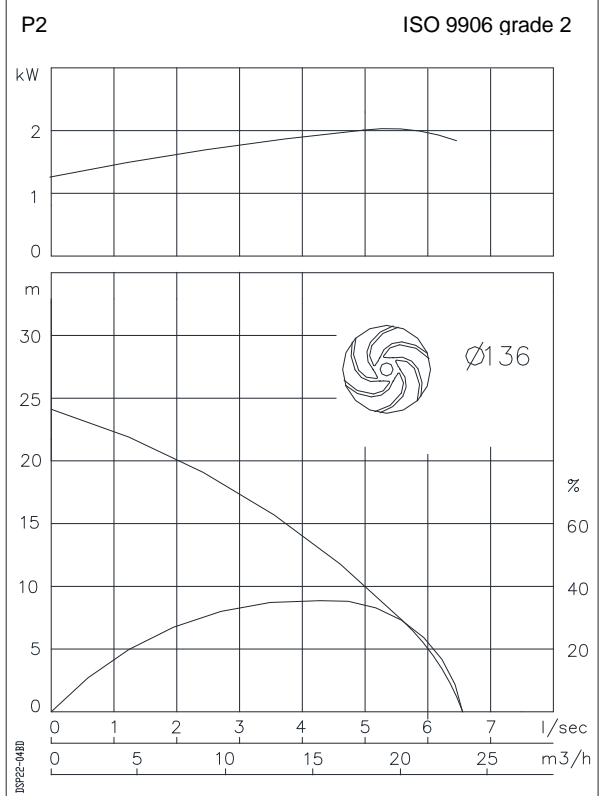


Guide bar coupling: OWK050



Optional

- Thermo switches in stator windings
- Cable protective sheathing (AISI 316)
- Water detector in motor and oil chamber



Connections

voltage	current	Electrical cable size [mm ²]		motor protection and/or water detector	
		direct start		direct start	
230	7.9	4G1.5		7G1.5	
400	4.5	4G1.5		7G1.5	
500	3.6	4G1.5		7G1.5	
starting current DOL start : 5.3 x rated current					
* other voltages on request					