

Pump type: Submersible cutter pump  
 Application: Waste water, sewage

**Pump data**

Discharge diameter: 40 mm  
 Impeller type: cutter  
 Impeller diameter: 122 mm  
 Recommended min. flow: 1 l/sec (3.6 m3/h)  
 Weight: 49 kg

**Motor**

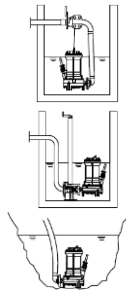
Mains: 50 c/s – 3 phase  
 Rated shaft power: 2.2 kW  
 Rated electrical power: 2.8 kW  
 Nominal speed: 2830 rpm  
 Motor efficiency: 79 %  
 Power factor (cos phi): 0.89  
 Degree of protection: IP 68  
 Isolation class: F (155°C)  
 Max. water temperature: 40°C  
 Standard cable length: 10 m

**Materials**

Pump casing: Cast iron GG 25 (EN-GJL-250)  
 Impeller: Cast iron GG 25 (EN-GJL-250)  
 Cutter: Hardened chrome steel  
 Motor unit: Cast iron GG 25 (EN-GJL-250)  
 Shaft: AISI 431  
 Bolts: Alt: AISI 316  
 Elastomers: AISI 316  
 Nitrile (NBR) or neoprene (CR)  
 Alt: viton (FPM)  
 Neoprene (CR)  
 Electrical cable: Neoprene (CR)  
 Seal lubrication: Oil  
 Seal pump side: Silicon carbide – silicon carbide  
 Seal motor side: Carbon - Ceramic  
 Coating: Two components polyurethane

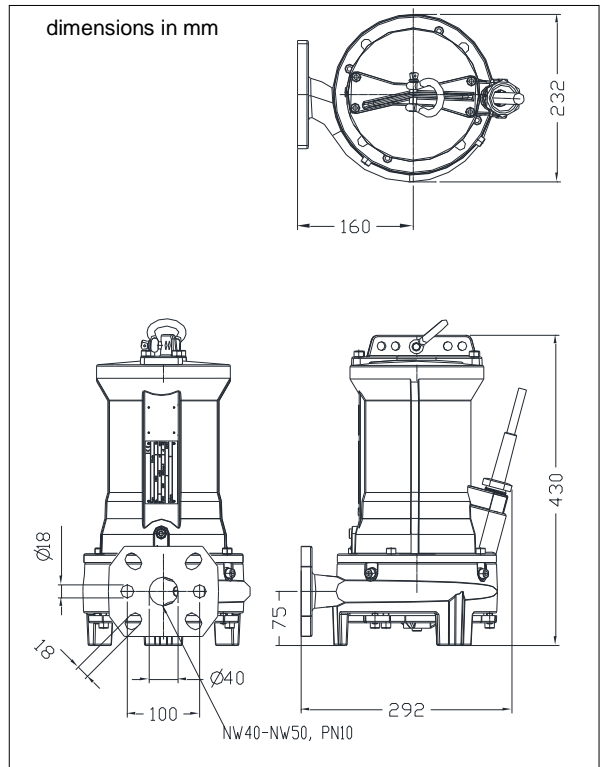
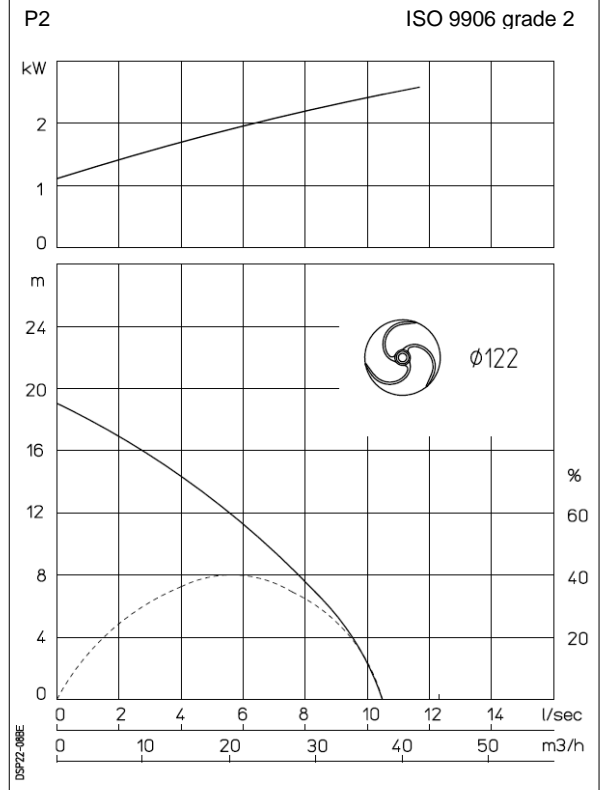
**Installation options**

Header coupling: BWK 050  
 Guide bar coupling: OWK 050  
 Freestanding (VRS): 50 mm or 75 mm hose connection or G 2" threaded connection



**Optional**

- Flameproof version, to class: II 2 G Ex d IIB c T4  
 Standard: II 2 G Ex b c d IIB T4 Gb  
 With Frequency control: II 2 G Ex b c d IIB T3 Gb
- Thermo switches in stator windings (standard for flame proof version)
- Cable protective sheathing (AISI 316)
- Water detector in motor and oil chamber  
 Flameproof version with external cable



**Connections**

voltage	current	Electrical cable size [mm2]		motor protection and/or water detector		flameproof version		
		direct start		direct start		direct start		
230	7.9	4G1.5		7G1.5		7G1.5		
400	4.5	4G1.5		7G1.5		7G1.5		
500	3.6	4G1.5		7G1.5		7G1.5		
starting current DOL start : 5.3 x rated current								
							* other voltages on request	