

Pump type: Submersible cutter pump
 Application: Waste water, sewage

Pump data

Discharge diameter 40 mm
 Impeller type: cutter
 Impeller diameter 160, 152 mm
 Recommended min. flow 1 l/sec (3.6 m3/h)
 Weight 55 kg

Motor

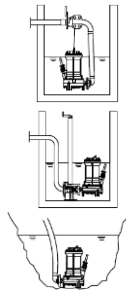
Mains: 50 c/s – 3 phase
 Rated shaft power 4.0 kW
 Rated electrical power 5.0 kW
 Nominal speed 2840 rpm
 Motor efficiency 80 %
 Power factor (cos phi) 0.85
 Degree of protection IP 68
 Isolation class F (155°C)
 Max. water temperature 40°C
 Standard cable length 10 m

Materials

Pump casing Cast iron GG 25 (EN-GJL-250)
 Impeller Cast iron GG 25 (EN-GJL-250)
 Cutter Hardened chrome steel
 Motor unit Cast iron GG 25 (EN-GJL-250)
 Shaft AISI 431
 Alt: AISI 316
 Bolts AISI 316
 Elastomers Nitrile (NBR) or neoprene (CR)
 Alt: viton (FPM)
 Neoprene (CR)
 Electrical cable Neoprene (CR)
 Seal lubrication Oil
 Seal pump side Silicon carbide – silicon carbide
 Seal motor side Carbon - Ceramic
 Coating Two components polyurethane

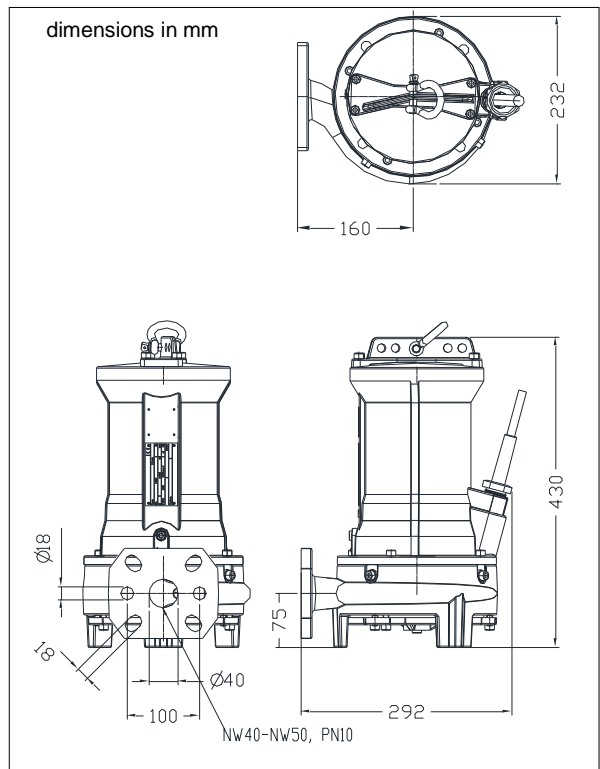
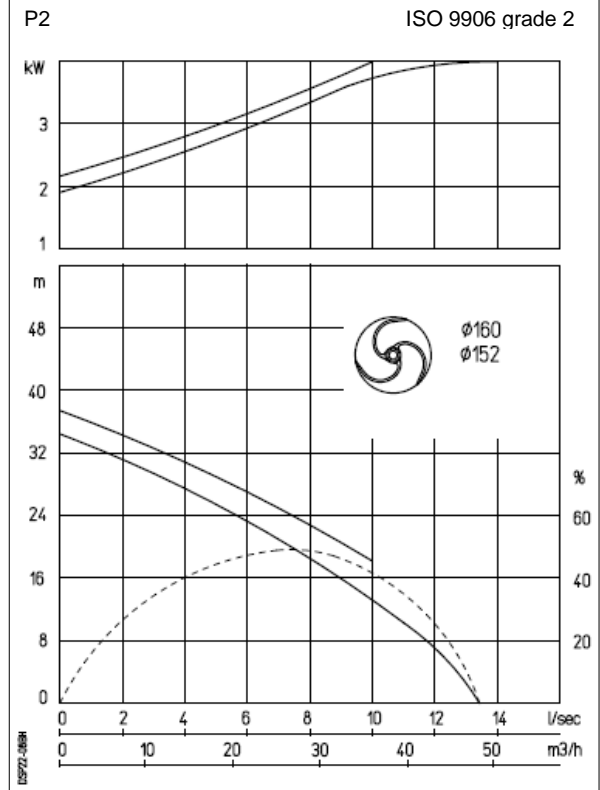
Installation options

Header coupling BWK 050
 Guide bar coupling OWK 050
 Freestanding (VRS) 50 mm or 75 mm hose connection or G 2" threaded connection



Optional

- Flameproof version, to class: II 2 G Ex d IIB c T4
 Standard: II 2 G Ex b c d IIB T4 Gb
 With Frequency control: II 2 G Ex b c d IIB T3 Gb
- Thermo switches in stator windings (standard for flame proof version)
- Cable protective sheathing (AISI 316)
- Water detector in motor and oil chamber
 Flameproof version with external cable



Connections

voltage [V]*	current [A]	Electrical cable size [mm2]		motor protection and/or water detector		flameproof version		
		direct start	stardelta start	direct start	stardelta start	direct start	stardelta start	
230	14.8	4G1.5	7G1.5	7G1.5	10G1.5	7G1.5	10G1.5	
400	8.5	4G1.5	7G1.5	7G1.5	10G1.5	7G1.5	10G1.5	
500	6.8	4G1.5	7G1.5	7G1.5	10G1.5	7G1.5	10G1.5	
starting current DOL start : 6.2 x rated current								
starting current YD start : 2.1 x rated current								
							* other voltages on request	