

Pump type: Submersible pump  
 Application: Waste water, sewage

**Pump data**

Solids passage 100 mm  
 Discharge/ Suction diameter NW100 /NW125, PN10  
 Impeller type: closed screw  
 Impeller diameter 190 - 170 mm  
 Recommended min. flow 6 l/sec (21 m3/h)  
 Weight 132 kg

**Motor**

Mains: 50 c/s – 3 phase  
 Rated shaft power 6.0 kW  
 Rated electrical power 7.7 kW  
 Nominal speed 1395 rpm  
 Motor efficiency 78 %  
 Power factor (cos phi) 0.85  
 Degree of protection IP 68  
 Isolation class F (155°C)  
 Max. water temperature 40°C  
 Standard cable length 10 m

**Materials**

Pump casing Cast iron GG 25 (EN-GJL-250)  
 Impeller S.g cast iron GGG 40 (EN-GJS-400-15)  
 Motor unit Cast iron GG 25 (EN-GJL-250)  
 Shaft AISI 431  
 Alt: AISI 316  
 Bolts AISI 316  
 Elastomers Nitrile (NBR) or neoprene (CR)  
 Alt: viton (FPM)  
 Neoprene (CR)  
 Electrical cable Neoprene (CR)  
 Seal lubrication Oil  
 Seal pump side Silicon carbide - Silicon carbide - FPM  
 Seal motor side Carbon – Ceramic - NBR  
 Coating Two components polyurethane

**Installation options**

Header coupling BWK 100



Guide bar coupling OWK 100-N



Freestanding Including support (VRS) 100mm hose connection or G 4" threaded connection



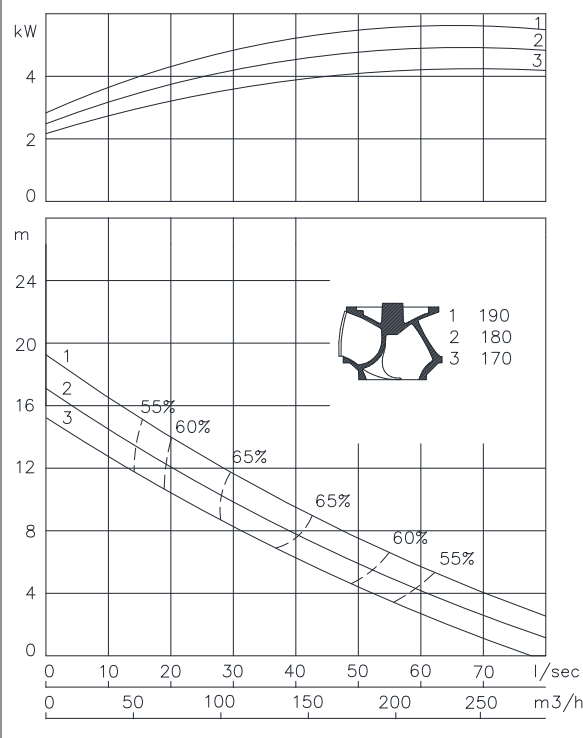
Dry Installation Including cooling system (ODO) vertical or horizontal install. discharge flange NW100 suction flange NW125



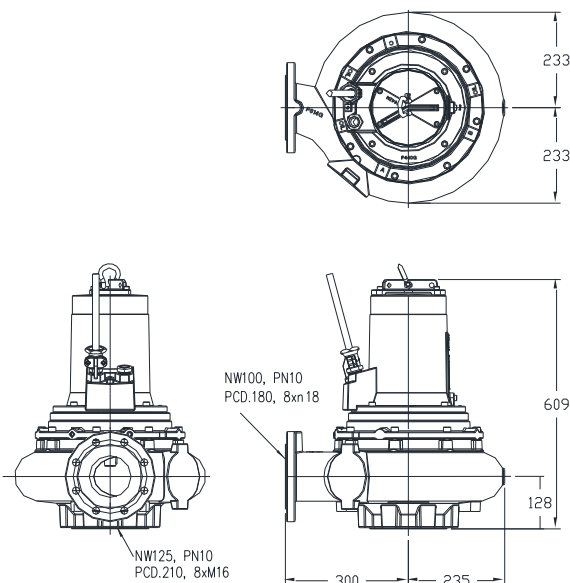
**Optional**

- Thermo switches in stator windings
- Cable protective sheathing (AISI 316)
- Water detector in motor and oil chamber

P2 ISO 9906 grade 2



dimensions in mm



**Connections**

voltage [V]*	current [A]	Electrical cable size [mm <sup>2</sup> ]		motor protection and/or water detector	
		direct start	stardelta start	direct start	stardelta start
230	22.9	4G6	7G1.5	4G6 + 4G1.5	10G1.5
400	13.1	4G2.5	7G1.5	7G1.5	10G1.5
500	10.5	4G2.5	7G1.5	7G1.5	10G1.5
starting current DOL start : 4.2 x rated current					
starting current YD start : 1.4 x rated current					
* other voltages on request					