

Pump type: Submersible pump  
 Application: Waste water, sewage

### Pump data

Solids passage: 100 mm  
 Discharge/ Suction: NW100 /NW125, PN10  
 Impeller type: closed screw  
 Impeller diameter: 250 - 230 mm  
 Recommended min. flow: 6 l/sec (21 m3/h)  
 Weight: 153 kg


### Motor

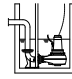
Mains: 50 c/s – 3 phase  
 Rated shaft power: 13.0 kW  
 Rated electrical power: 15.1 kW  
 Nominal speed: 1420 rpm  
 Motor efficiency: 86 %  
 Power factor (cos phi): 0.84  
 Degree of protection: IP 68  
 Isolation class: F (155°C)  
 Max. water temperature: 40°C  
 Standard cable length: 10 m


### Materials

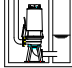
Pump casing: Cast iron GG 25 (EN-GJL-250)  
 Impeller: S.g cast iron GGG 40 (EN-GJS-400-15)  
 Motor unit: Cast iron GG 25 (EN-GJL-250)  
 Shaft: AISI 431  
 Alt: AISI 316  
 Bolts: AISI 316  
 Elastomers: Nitrile (NBR) or neoprene (CR)  
 Alt: viton (FPM)  
 Electrical cable: Neoprene (CR)  
 Seal lubrication: Oil  
 Seal pump side: Silicon carbide – Silicon carbide - FPM  
 Seal motor side: Carbon – Ceramic - NBR  
 Coating: Two components polyurethane

### Installation options

Header coupling: BWK 100 

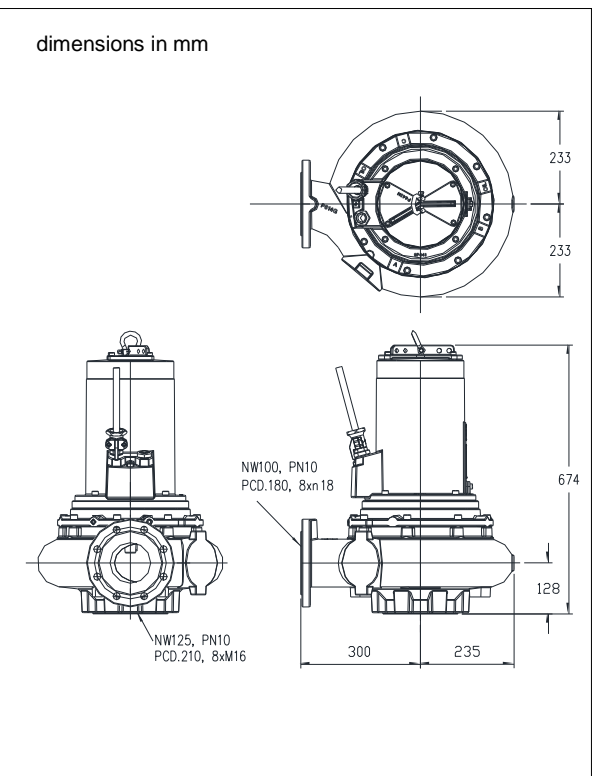
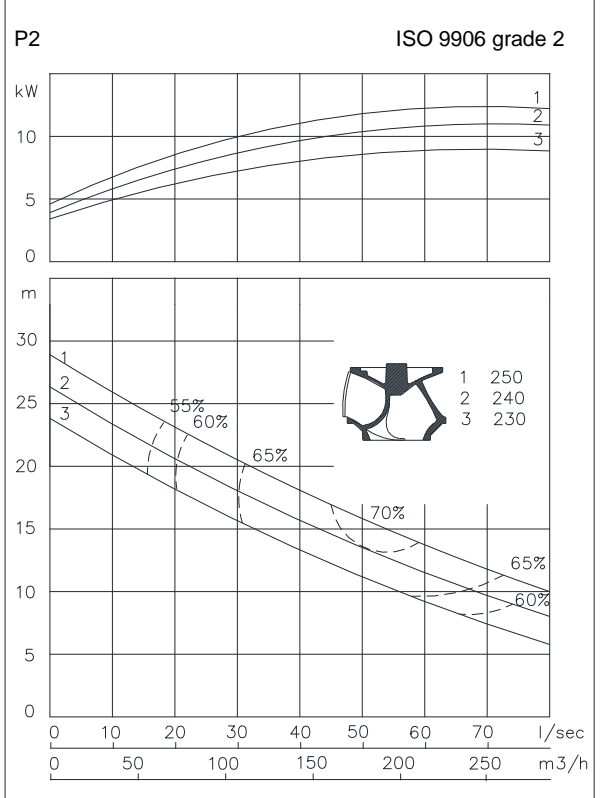
Guide bar coupling: OWK 100-N 

Freestanding Including support (VRS): 100mm hose connection or G 4" threaded connection 

Dry Installation Including cooling system (ODO): vertical or horizontal install. discharge flange NW100 suction flange NW125 

### Optional

- Thermo switches in stator windings
- Cable protective sheathing (AISI 316)
- Water detector in motor and oil chamber



### Connections

voltage	current	Electrical cable size [mm <sup>2</sup> ]		motor protection and/or water detector	
		direct start	stardelta start	direct start	stardelta start
230	45.4	4G10	2x4G6	4G10 + 4G1.5	-
400	26.1	4G6	7G2.5	4G6 + 4G1.5	7G2.5 + 4G1.5
500	20.9	4G6	7G1.5	4G6 + 4G1.5	10G1.5
starting current DOL start : 5.0 x rated current					
starting current YD start : 1.7x rated current					
* other voltages on request					