

Pump type: Submersible pump
 Application: Waste water, sewage

Pump data

Solids passage: 100 mm
 Discharge/ Suction diameter: NW 100 /NW 125, PN10
 Impeller type: closed screw
 Impeller diameter: 210 – 170 mm
 Recommended min. flow: 6 l/sec (21 m3/h)
 Weight: 125 kg

Motor

Mains: 50 c/s – 3 phase
 Rated shaft power: 2.4 kW
 Rated electrical power: 3.2 kW
 Nominal speed: 960 rpm
 Motor efficiency: 75 %
 Power factor (cos phi): 0.81
 Degree of protection: IP 68
 Isolation class: F (155°C)
 Max. water temperature: 40°C
 Standard cable length: 10 m

Materials

Pump casing: Cast iron GG 25 (EN-GJL-250)
 Impeller: S.g cast iron GGG 40 (EN-GJS-400-15)
 Motor unit: Cast iron GG 25 (EN-GJL-250)
 Shaft: AISI 431
 Alt: AISI 316
 Bolts: AISI 316
 Elastomers: Nitrile (NBR) or neoprene (CR)
 Alt: viton (FPM)
 Neoprene (CR)
 Electrical cable: Neoprene (CR)
 Seal lubrication: Oil
 Seal pump side: Silicon carbide – Silicon carbide - FPM
 Seal motor side: Carbon – Ceramic - NBR
 Coating: Two components polyurethane

Installation options

Header coupling: BWK 100



Guide bar coupling: OWK 100-N



Freestanding including support (VRS): 100mm hose connection or G 4" threaded connection



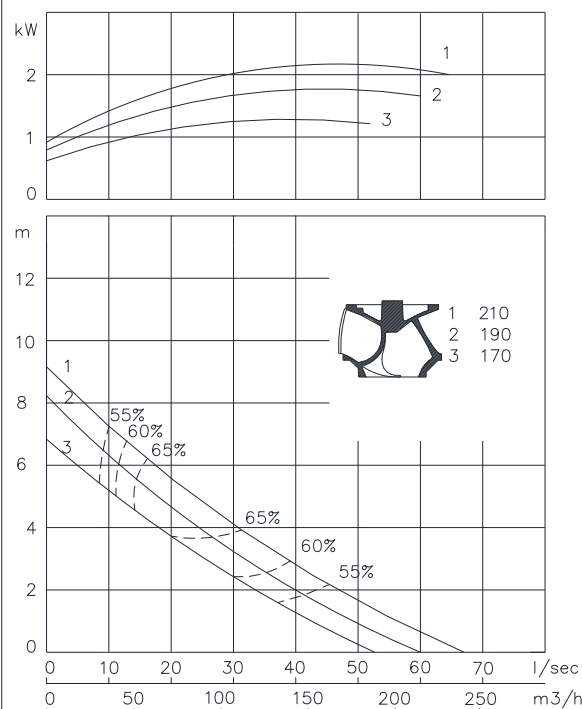
Dry Installation including cooling system (ODO): vertical or horizontal install. discharge flange NW 100 suction flange NW 125



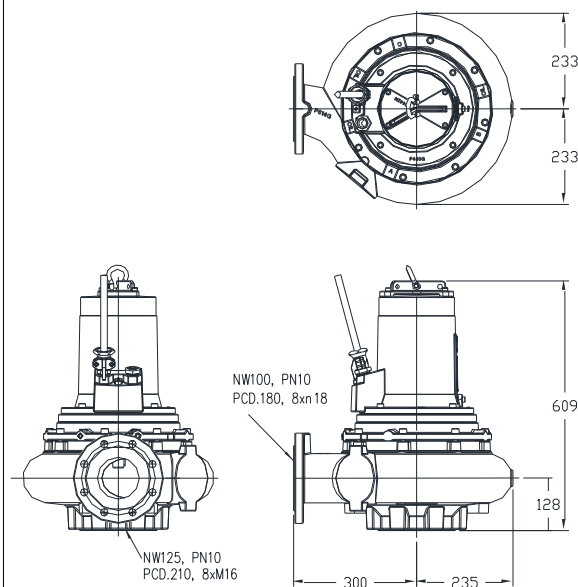
Optional

- Thermo switches in stator windings
- Cable protective sheathing (AISI 316)
- Water detector in motor and oil chamber

P2 ISO 9906 grade 2



dimensions in mm



Connections

voltage	current	Electrical cable size [mm ²]		motor protection and/or water detector	
		direct start	stardelta start	direct start	stardelta start
[V]*	[A]				
230	9.9	4G2.5	7G1.5	7G1.5	10G1.5
400	5.7	4G2.5	7G1.5	7G1.5	10G1.5
500	4.6	4G2.5	7G1.5	7G1.5	10G1.5
starting current DOL start : 6.0 x rated current					
starting current YD start : 2.0 x rated current					
* other voltages on request					