

Pump type: Submersible pump
 Application: Waste water, sewage

Pump data

Solids passage 100 mm
 Discharge/ Suction diameter NW150 / NW150, PN10
 Impeller type: closed screw
 Impeller diameter 240 - 210 mm
 Recommended min. flow 13 l/sec (47 m3/h)
 Weight 190 kg

Motor

Mains: 50 c/s – 3 phase
 Rated shaft power 13.0 kW
 Rated electrical power 15.1 kW
 Nominal speed 1420 rpm
 Motor efficiency 86 %
 Power factor (cos phi) 0.84
 Degree of protection IP 68
 Isolation class F (155°C)
 Max. water temperature 40°C
 Standard cable length 10 m

Materials

Pump casing Cast iron GG 25 (EN-GJL-250)
 Impeller S.g cast iron GGG 40 (EN-GJS-400-15)
 Motor unit Cast iron GG 25 (EN-GJL-250)
 Shaft AISI 431
 Alt: AISI 316
 Bolts AISI 316
 Elastomers Nitrile (NBR) or neoprene (CR)
 Alt: viton (FPM)
 Neoprene (CR)
 Electrical cable Neoprene (CR)
 Seal lubrication Oil
 Seal pump side Silicon carbide – Silicon carbide - FPM
 Seal motor side Carbon – Ceramic - NBR
 Coating Two components polyurethane

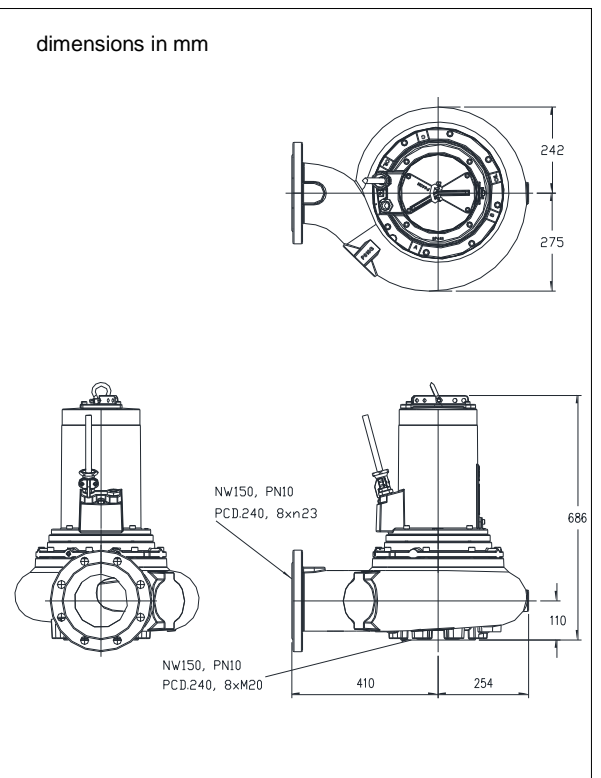
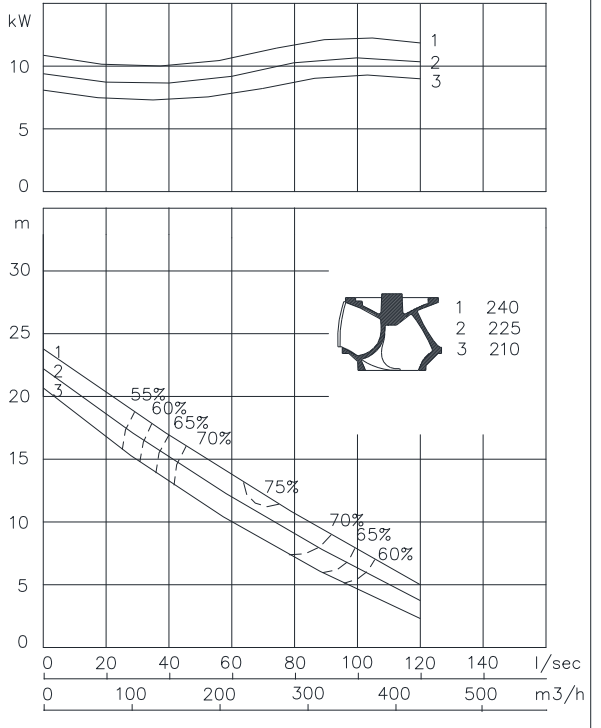
Installation options

- Header coupling BWK 150
- Guide bar coupling OWK 150-N
- Freestanding Including support (VRS) 150mm hose connection
- Dry Installation Including cooling system (ODO) vertical or horizontal install. discharge flange NW150 suction flange NW150

Optional

- Thermo switches in stator windings
- Cable protective sheathing (AISI 316)
- Water detector in motor and oil chamber

P2 ISO 9906 grade 2



Connections

voltage	current	Electrical cable size [mm2]		motor protection and/or water detector	
		direct start	stardelta start	direct start	stardelta start
230	45.4	4G10	2x4G6	4G10 + 4G1.5	-
400	26.1	4G6	7G2.5	4G6 + 4G1.5	7G2.5 + 4G1.5
500	20.9	4G6	7G1.5	4G6 + 4G1.5	10G1.5
starting current DOL start : 5.0 x rated current					
starting current YD start : 1.7 x rated current					
* other voltages on request					