

Pump type: Submersible vortex pump  
 Application: Waste water, sewage

**Pump data**

Solids passage 80 mm  
 Discharge/ Suction diameter 100 mm/ 100 mm  
 Impeller type: Vortex  
 Impeller diameter 252 - 200 mm  
 Recommended min. flow 6 l/sec (21 m3/h)  
 Weight 310 kg

**Motor**

Mains: 50 c/s – 3 phase  
 Rated shaft power 48.0 kW  
 Rated electrical power 52.7 kW  
 Nominal speed 2955 rpm  
 Motor efficiency 91 %  
 Power factor (cos phi) 0.93  
 Degree of protection IP 68  
 Isolation class F (155°C)  
 Max. water temperature 40°C  
 Standard cable length 10 m

**Materials**

Pump casing Cast iron GG 25 (EN-GJL-250)  
 Impeller S.g cast iron GGG 40 (EN-GJS-400-15)  
 Motor unit Cast iron GG 25 (EN-GJL-250)  
 Shaft AISI 431  
 Alt: AISI 316  
 Bolts AISI 316  
 Elastomers Nitrile (NBR) of neoprene (CR)  
 Alt: viton (FPM)  
 Electrical cable Neoprene (CR)  
 Seal lubrication Oil  
 Seal pump side Silicon carbide – silicon carbide  
 Seal motor side Carbon - Ceramic  
 Coating Two components polyurethane

**Installation options**

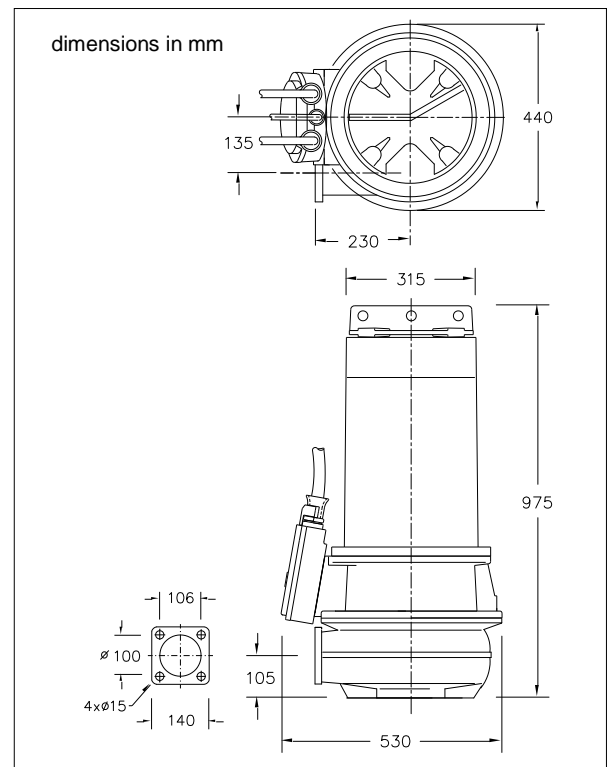
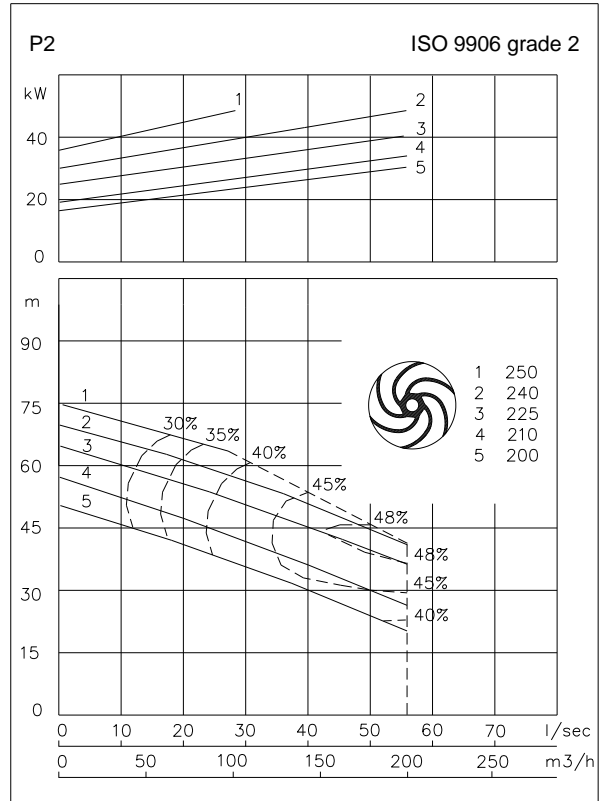
Guide bar coupling OWK 100

Freestanding Including support (VRS) 100 mm hose connection or G 4" threaded connection

Dry Installation Including cooling system (ODO) vertical or horizontal install. discharge flange NW100 suction flange NW100

**Optional**

- Version with cooling system
- Flameproof version, to class: II 2 G Ex d IIB c T4  
 Standard: II 2 G Ex b c d IIB T4 Gb  
 With Frequency control: II 2 G Ex b c d IIB T3 Gb
- Cable protective sheathing (AISI 316)
- Water detector in motor and oil chamber  
 Flameproof version with external cable



**Connections**

voltage [V]*	current [A]	Electrical cable size [mm <sup>2</sup> ]			
		motor protection and/or water detector		flameproof version	
		direct start	star-delta start	direct start	star-delta start
230	142.4	-	-	-	-
400	81.9	-	2x4G10 + 4G2.5	-	2x4G10 + 4G2.5
500	65.5	4G16 + 4G2.5	2x4G10 + 4G2.5	4G16 + 4G2.5	2x4G10 + 4G2.5
starting current DOL start : 6.2 x rated current					
starting current YD start : 2.1 x rated current					
					* other voltages on request